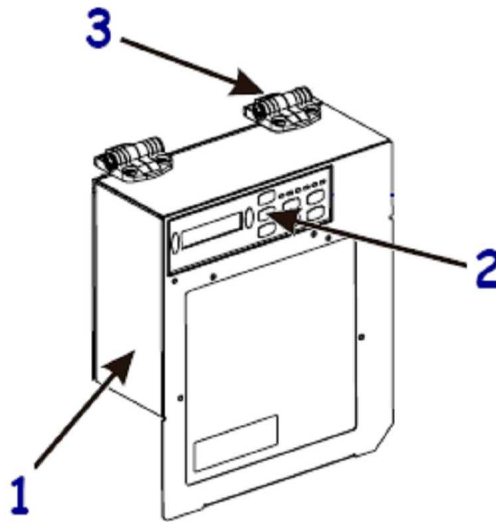


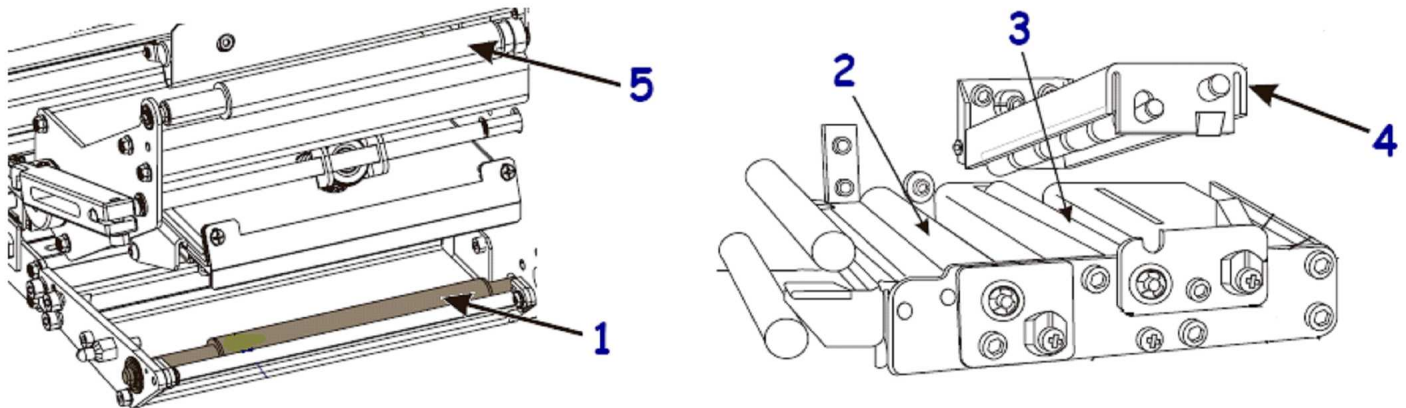
110PAX4 Parts Catalog: Right Hand (RH) and Left Hand (LH) Units

Outer Casing Components



Item Number	Description	Part Number	Kit Quantity
1	Kit Front Cover RH (does not include control panel or door hinges)	G57235M	1
1	Kit Front Cover LH (does not include control panel or door hinges)	G57236M	1
2	Kit Control Panel RH & LH	G49398M	1
3	Kit Door Hinge RH & LH	49244M	2

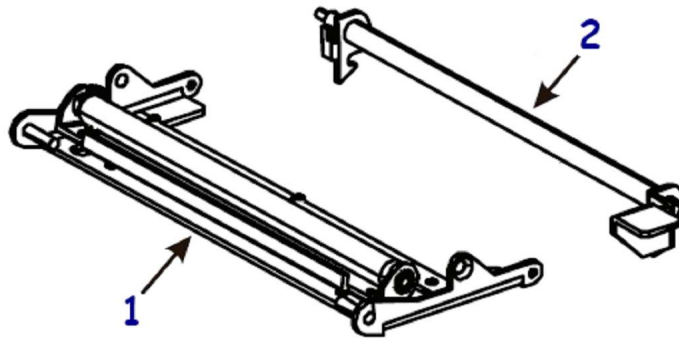
Rollers



Item Number	Description	Part Number	Kit Quantity
1	Kit Platen Roller RH & LH	G43110M	1
2	Kit Peel Roller RH & LH	G57131M	1
3	Kit Elastomer Pinch Roller RH & LH	G57130M	1
4	Kit Upper Pinch Segmented Roller Assembly RH	G43013M	1
4	Kit Upper Pinch Segmented Roller Assembly LH	G43012M	1
5	Kit Auxillary Roller RH & LH	57167M	1

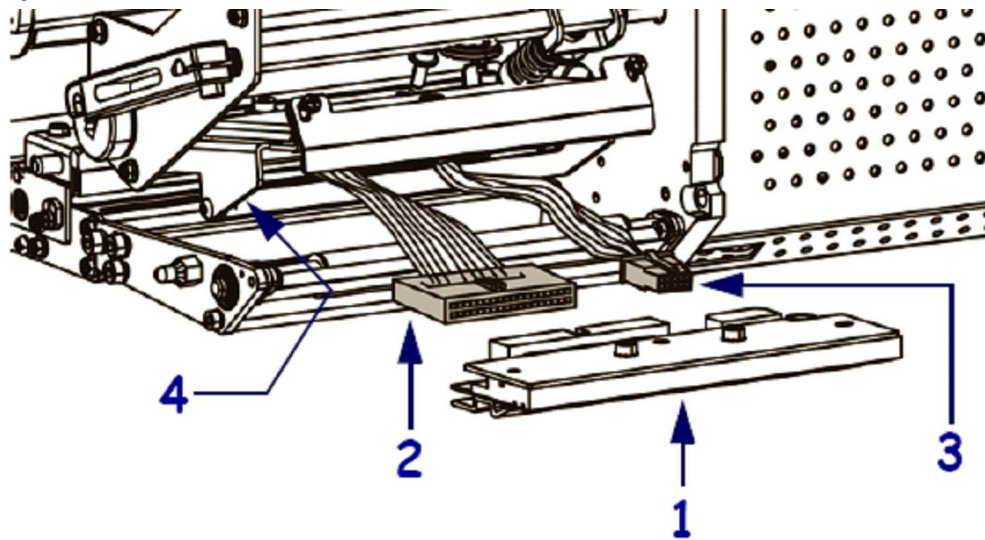
110PAX4 Parts Catalog: Right Hand (RH) and Left Hand (LH) Units

Peel Roller Bracket and Latch



Item Number	Description	Part Number	Kit Quantity
1	Kit Bracket for Peel Roller RH & LH	43310M	1
2	Latch Assembly for Peel Roller release RH	43125	1
2	Latch Assembly for Peel Roller release LH	43260	1

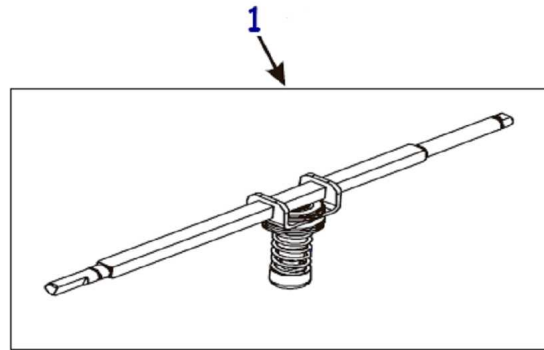
Printhead Components



Item Number	Description	Part Number	Kit Quantity
1	Kit Printhead 203 dpi RH & LH	G57202-1M	1
1	Kit Printhead 300 dpi RH	G57212M	1
1	Kit Printhead 300 dpi LH	G57242M	1
2	Printhead Data Cable RH	37939	1
2	Printhead Data Cable LH	37940	1
3	Printhead Power Cable RH & LH	37836	1
4	Printhead Bracket RH	57204	1
4	Printhead Bracket LH	57232	1
	Kit Printhead dpi Conversion 300 dpi to 203 dpi RH & LH	G57600M	1
	Kit Printhead dpi Conversion 203 dpi to 300 dpi RH	G57601M	1
	Kit Printhead dpi Conversion 203 dpi to 300 dpi LH	G57602M	1

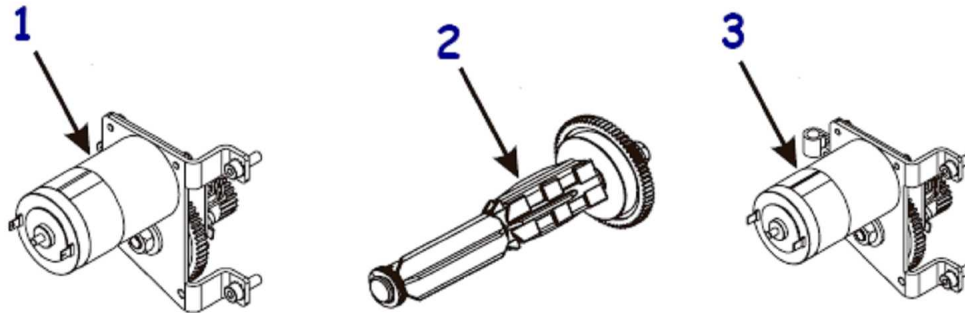
110PAX4 Parts Catalog: Right Hand (RH) and Left Hand (LH) Units

Toggle Assembly



Item Number	Description	Part Number	Kit Quantity
1	Kit Pivot Bar & Toggle Assy RH	G57187M	1
1	Kit Pivot Bar & Toggle Assy LH	G57189M	1

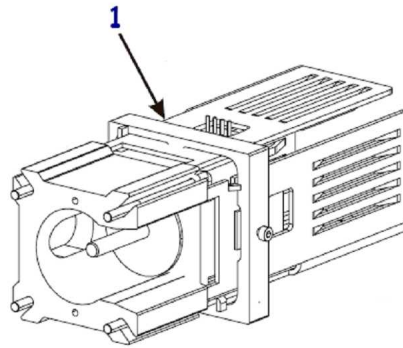
Ribbon Spindles and Motors



Item Number	Description	Part Number	Kit Quantity
1	Kit DC Motor for Ribbon Supply Spindle RH	G57466M	1
1	Kit DC Motor for Ribbon Supply Spindle LH	G57468M	1
2	Kit Ribbon Supply Spindle or Ribbon Take-Up Spindle RH & LH	G43059M	1
3	Kit DC Motor for Ribbon Take-Up Spindle RH	G57467M	1
3	Kit DC Motor for Ribbon Take-Up Spindle LH	G57469M	1

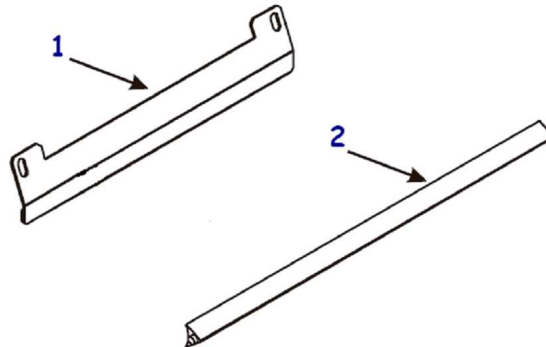
110PAX4 Parts Catalog: Right Hand (RH) and Left Hand (LH) Units

Drive System Components



Item Number	Description	Part Number	Kit Quantity
1	Kit Stepper Motor 203 & 300 dpi RH & LH (does not include pulley)	G57527M	1
	Kit Pulley for Stepper Motor 203 dpi RH & LH	G57604M	1
	Kit Pulley for Stepper Motor 300 dpi RH & LH	G57464M	1
	Kit Platen Roller Pulley 203 & 300 dpi RH & LH	57299M	1
	Kit Compound Pulley 203 & 300 dpi RH & LH	G57069M	1
	Kit Drive Belts 203 & 300 dpi RH & LH (for replacing all 4 drive belts)	57603M	1

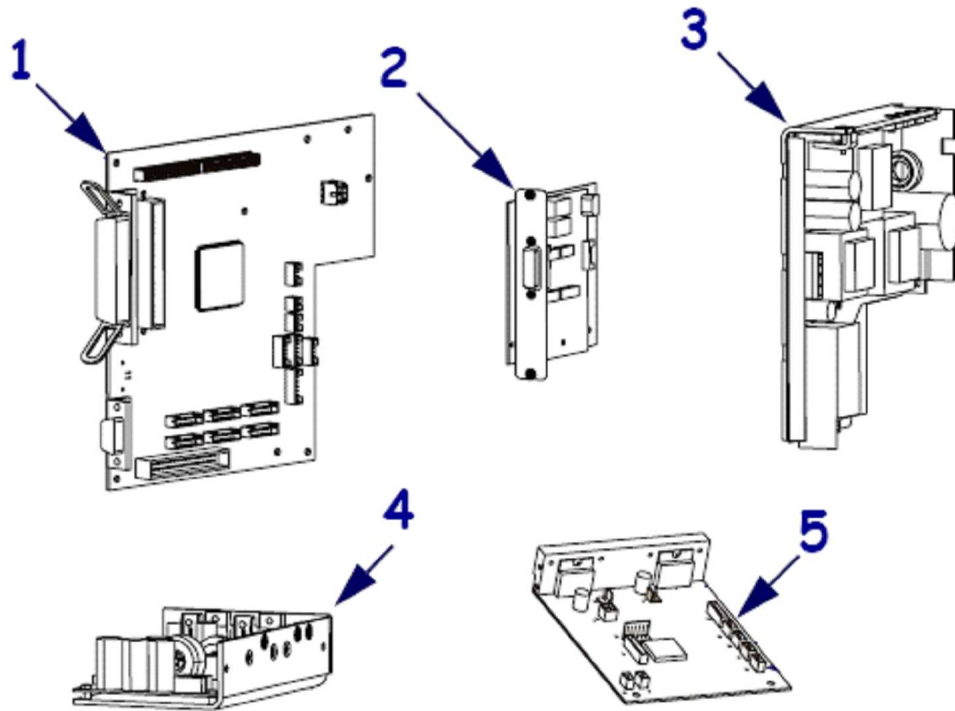
Ribbon Strip Plate - Peel Bar



Item Number	Description	Part Number	Kit Quantity
1	Ribbon Strip Plate RH & LH	43049	1
2	Peel Bar RH & LH	43114	1

110PAX4 Parts Catalog: Right Hand (RH) and Left Hand (LH) Units

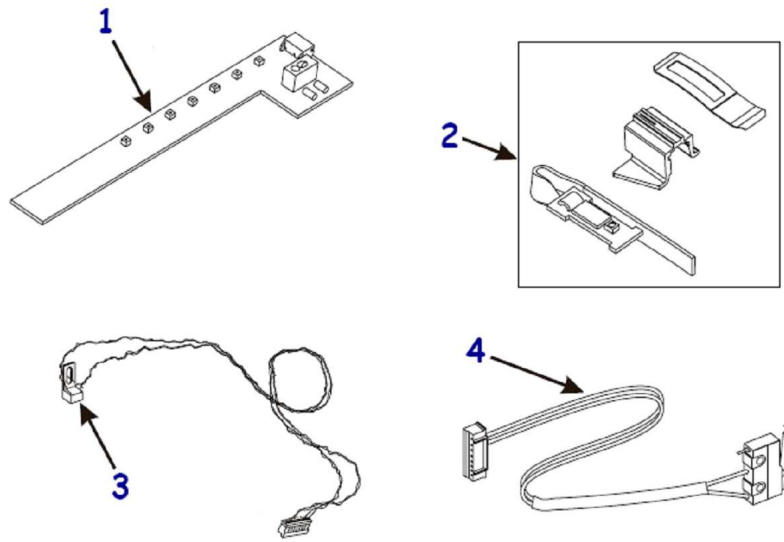
Electronic Components



Item Number	Description	Part Number	Kit Quantity
1	Kit Main Logic Board (MLB) 4MB RH & LH	34901-040M	1
1	Kit Main Logic Board (MLB) 64MB RH & LH	34901-042M	1
2	Kit Applicator Interface 24V I/O RH & LH	G57389M	1
2	Kit Applicator Interface 5V I/O RH & LH	G57056M	1
3	Kit AC Power Supply RH & LH	57630M	1
4	Kit DC Power Supply RH	G43238M	1
4	Kit DC Power Supply LH	G43240M	1
5	Kit Motor Control Board RH & LH	G43210M	1
	Kit PCMCIA Board RH & LH	G57350M	1
	Kit ZebraNet Wireless b/g Print Server. Includes Magnetic Mount for Antenna.	P1032274	1
	Kit Replacement Antenna for b/g Print Servers	P1032276	1
	Kit Magnetic Mount Replacement (Antenna not included)	39518M	1
	Kit Wireless Plus Board. In order to achieve wireless function, a separate radio card must be purchased (not included).	29651-004M	1
	Kit Replacement Antenna for Internal Wireless Plus Print Servers	39538M	1
	Kit Internal Print Server 10/100 RH & LH	G57546	1
	Kit External Print Server 10/100 RH & LH	G47490	1

110PAX4 Parts Catalog: Right Hand (RH) and Left Hand (LH) Units

Sensors



Item Number	Description	Part Number	Kit Quantity
1	Kit Lower Media Sensor RH	G43212M	1
1	Kit Lower Media Sensor LH	G43250M	1
2	Kit Upper Media Sensor RH	G43214M	1
2	Kit Upper Media Sensor LH	G43084M	1
3	Kit Ribbon Sensor RH	59000M	1
3	Kit Ribbon Sensor LH	G43467M	1
4	Kit Door Open Switch RH & LH	G57339M	1
	Printhead Open Sensor	37920	1

Packing Material for Printer Shipping

Item Number	Description	Part Number	Kit Quantity
	Kit Packing Material	G57533PM	1



110PAX4 Parts Catalog: Right Hand (RH) and Left Hand (LH) Units

Hardware

Item Number	Description	Part Number	Kit Quantity
	Cable Ties 3.62 inches in length (qty of 20)	HWQ06020	20
	Screw M5X0.8X12 Pan PH ZN QTY 25	HW43971	25
	Lock Washer External #6 (Bag of 100)	HW45946	100
	Split Washer M5	HW32410	10
	Washer Flt .375 x .156 x .065. Qty of 100	HW33822	100
	Screw 2-56 X .187 Fl Ph Zn 25 CNT	HW43975	25
	Nut Hex M3, Qty of 25	HW10460	25
	Flat Washer .250 x .125 x .028, Qty of 100	HW43893	100
	Screw M4 x 0.7 x 12, Qty of 25	HW10432	25
	Screw M3 x 0.6 x 20, Qty of 25	HW49152	25
	Crescent Ring Ext .250 Yel, Qty of 100	HW33810	100
	Bearing Nylon .312 .251 .078 Qty of 25	HW30105	25
	E-Ring Ext .125, Qty of 100	HW45947	100
	Screw M3 x 0.5 x 6, Qty of 50	HW78805	50
	Rivet Snap .138 x .08, Qty of 10	HW48182	10
	Ring E Ext .312 Yel, Qty of 25	HW06250	25
	Screw 6-32 x .37 Bu So H Bo, Qty of 25	HW30402-006	25
	Screw M3 x .5 x 6, Qty of 50	HW78804	50
	Ring Ext Ret, Qty of 25	HW49228	25
	Wave Washer Adj Hub, Qty of 5	HW49227	5
	Head Open Flag, Qty of 50	HW46352	50
	Screw M3 x 0.5 x 8mm, Qty of 25	HW44924	25
	Washer Split M4, Qty of 25	HW45931	25
	Set Screw Cup M3 x 0.5 x 4, Qty of 25	HW44147	25
	Ring E Ext .094, Qty of 25	HW07309	25
	Screw M3 x .5 x 4, Qty of 50	HW78803	50
	Screw M3 x 0.5 x 18, Qty of 10	HW10412	10
	Washer Flat M3, Qty of 50	HW10470	50
	Washer Split M3, Qty of 50	HW10471	50
	Screw M4 x 0.7 x 10, Qty of 25	HW10856	25
	Washer Flt .500 x .191 x .030 Qty of 25	HW33805	25
	Spring Compression .07 x .12 x .31, Qty of 25	HW46166	25
	Ring E Ext .140 x .025, Qty of 25	HW30485	25
	Washer .32 x .119 x .062 Neo Bl, Qty of 25	HW30494	25
	Cvd Washer .344 x .172 x .006, Qty of 25	HW40194	25
	Screw M3.5 x 0.5 x 11, Qty of 25	HW44001	25
	Nut Hex M5 X .8 X 2.6, Qty of 25	HW44055	25
	Washer Flat Nylon, Qty of 25	HW46128	25
	Screw M4x0.7 20 Qty of 10	HW43976	10
	Screw M3 x 0.5 x 14, Qty of 10	HW49185	10
	Washer Adj Hub, Qty of 5	HW49223	5
	Washer .381 x .126 x .042, Qty of 25	HW45950	25